



# G3 Wall Mount

Meridian's G3 Wall Mount delivers self-service in a small footprint. The G3 Wall Mount unit allows customers to interact with digital information and can integrate with multiple components to offer bill payment, barcode scanning, and much more.

## STANDARD CONSTRUCTION

- Durable Steel Enclosure
- All-In-One, Tablet or Mini PC
- High Quality Powder Coat Finish
- Lexan Graphics Available

## AVAILABLE COMPONENTS

- Credit Card Payment Terminal
- Barcode Scanner
- Rugged Keyboard and Trackball
- WiFi or Cellular Connectivity



*The G3 Wallmount kiosk is available with any size tablet and all-in-one computers up to 22."*

## POWER

- 120 Volt, 20 AMP Circuit, 50/60 Hz
- International Power Conversion Available

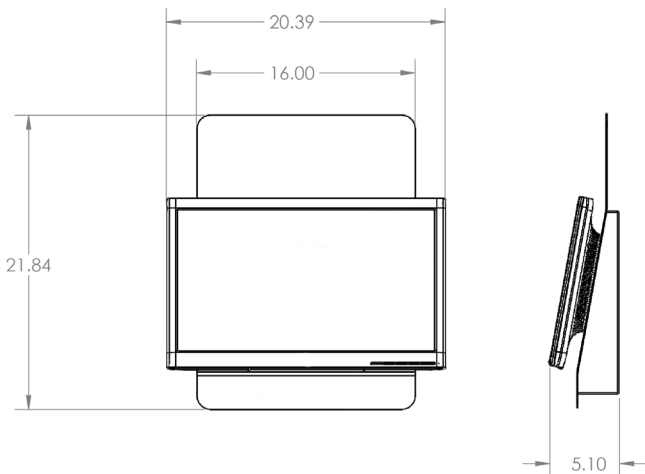
## DIMENSIONS (22" UNIT\*)

Height: 21.8"

Width: 20.4"

Depth: 5.1"

Weight: ~35 lbs

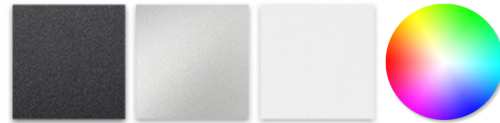


*\*Dimensions and drawings for other screen sizes available upon request*

## SCREEN

- All-In-One Touch Screen or Tablet

## POWDER COAT OPTIONS



### STANDARD INDOOR

*Black, Silver, White*

### STANDARD OUTDOOR

*Black, Grey, Grey Metallic, Hammered White*

CUSTOM PANTONE MATCHING AVAILABLE



## For More Information

[SALES@MZERO.COM](mailto:SALES@MZERO.COM) | 866 454 6757

A complete end-to-end self-service innovator, Meridian's turn-key solutions are designed and manufactured from our headquarters in North Carolina. By building all of our products from start to finish, we're able to provide greater efficiency and leaner, high-quality products faster than anyone else in the industry.



## QUALITY + CERTIFICATION

Meridian promises a level of quality that goes beyond the expected. We control every step of our process from concept to completion, overseeing quality, design, cost and timelines. Many of our products can be UL Listed through UL self-certify and our processes are ISO 9001:2015 certified.

